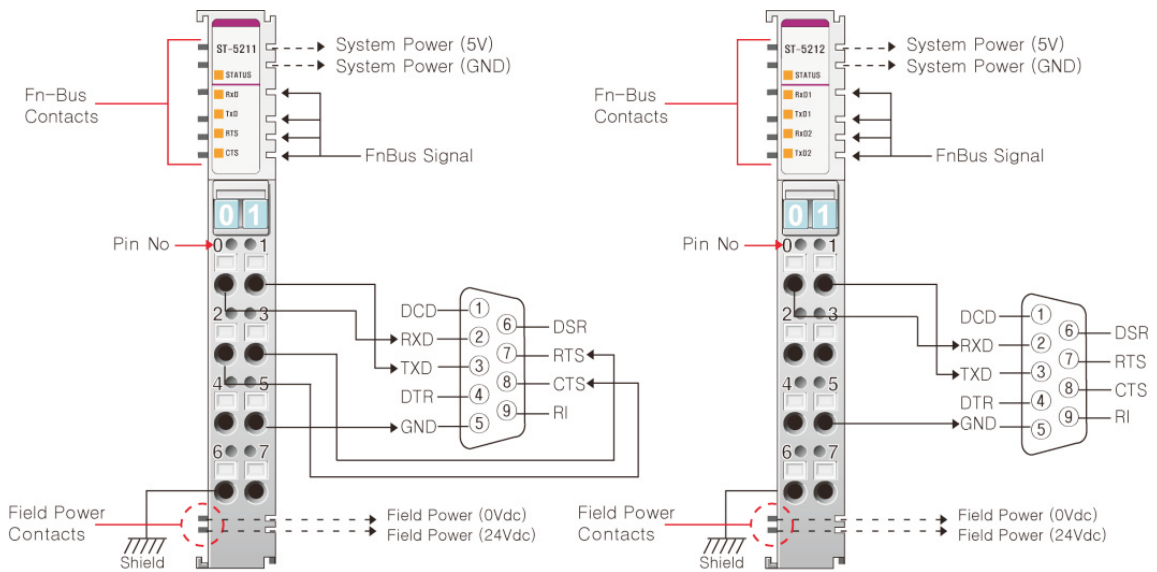


ST-5211, ST-5212

Serial Interface, RS232 Communication, 1 Channel, RTS/CTS Flow Control (ST-5211) 2 Channels (ST-5211)



Item	ST-5211	ST-5212				
Interface Specification						
Transfer Channels	TxD, RxD, Full duplex					
Transfer Rate	300 ~ 115200					
Data Bit	7 bit, 8 bit					
Parity Bit	None, Odd, Even					
Stop Bit	1 bit, 2 bit					
Flow Control	RTS, CTS	-				
Bit Distortion	<1.6%					
Connection	Spring force of RTB					
Cable Length	Max. 15m					
Low Signal Voltage	-18V ~ -3V					
High Signal Voltage	+18V ~ +3V					
Isolation	Isolation Voltage : 1000Vrms/Vac					
RxD Buffer	1024 Byte					
TxD Buffer	256 Byte					
Line Impedance	-					
Input Image Size	6 Byte	12 Byte				
Output Image Size	6 Byte	12 Byte				
General Specification						
Power Dissipation (System)	95mA max @5.0Vdc	110mA max @5.0Vdc				
Operating Temperature	-20°C ~ 55°C					
Non-Operation Temperature	-40°C ~ 85°C					
Relative Humidity	5% ~ 95% Non-condensing					
Operating Altitude	2000m					
Shock Operating	30g					
Shock Non-Operating	50g					
Vibration	2g@10-500Hz					
Module Size	12mm x 99mm x 70mm					
Environment Condition	Refer to " Environment Specification"(page : 1-191)					
Pin No.	Description	Description				
0	TxD	TxD1 channel #0				
1	RxD	RxD1 channel #0				
2	RTS	TxD2 channel #1				
3	CTS	RxD2 channel #1				
4	GND	GND				
5	GND	GND				
6	SHIELD	SHIELD				
7	SHIELD	SHIELD				
	LED NAME	COLOR	STATUS	LED NAME	COLOR	STATUS
	RxD	Green	Received Data	RxD 1	Green	Received Data #0
	TxD	Green	Transmit Data	TxD 1	Green	Transmit Data#0
	RTS	Green	Request to-send	RxD 2	Green	Received Data#1
	CTS	Green	Clear-to-send	TxD 2	Green	Transmit Data#1